

# HB SERIES

## ELECTRONIC PACKAGING PRODUCTS

### DESCRIPTION

8 and 11 Pin Octal Style Male Headers

### CONSTRUCTION

- Molding** • High Temperature Phenolic  
**Pins** • Brass, Bright Tin Plated

### ORDERING CODE

#### PART NO.

#### DESCRIPTION

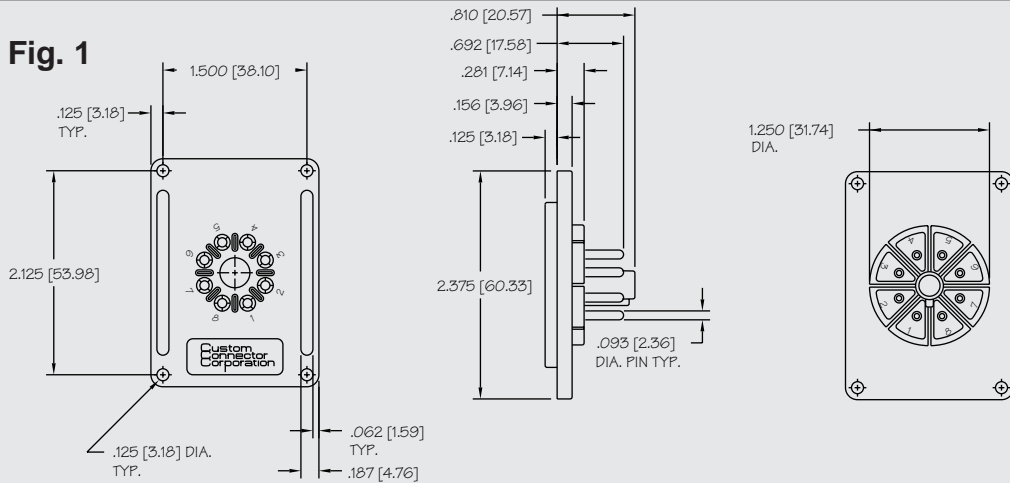
HB08  
 HB11  
 HMS-1

8 Pin Octal Style Male Header (Fig. 1)  
 11 Pin Octal Style Male Header (Fig. 2)  
 Header Mounting Screw



CUSTOM CONNECTOR

**Fig. 1**



**Fig. 2**

